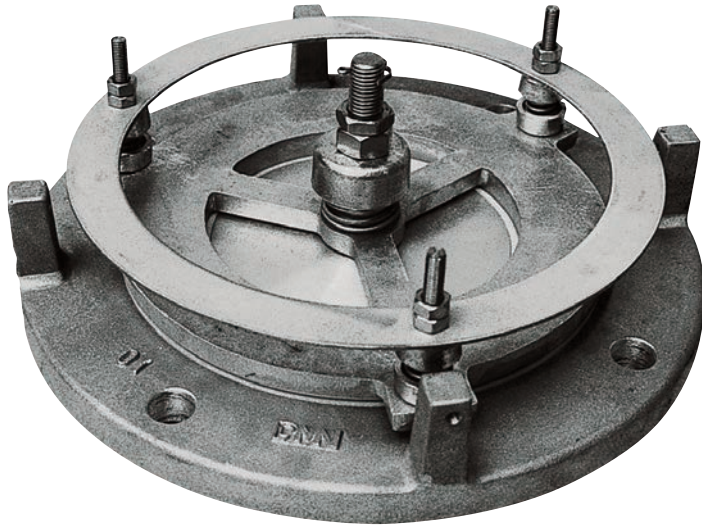


PRV



- Reliable
- Compact form
- Maintenance free
- Use of non-corrosive materials
- Easy disassembly and inspection



PRV pressure relieve valve

The PRV over-and-underpressure relief valve is an indispensable component for guaranteeing atmospheric pressure in receiving and discharging vessels.

The PRV is designed to avoid an explosion or implosion which can occur when an unacceptable level of pressure or vacuum arises inside the hopper or silo. In such a situation the PRV will automatically open and restore atmospheric conditions inside the silo or hopper. As soon as the atmospheric condition is achieved, the valve will close and re-establish sealing.

Technical characteristics	
Design pressure	+100 / -50 mbar
Maximum operating pressure	+45 / -20 mbar
Design temperature	-20 / +200 °C
Maximum operating temperature	-10 / +150 °C
(Template) flanges	DN 250 PN 16 (4 holes)
Minimum calibration pressure	+8 / -5 mbar

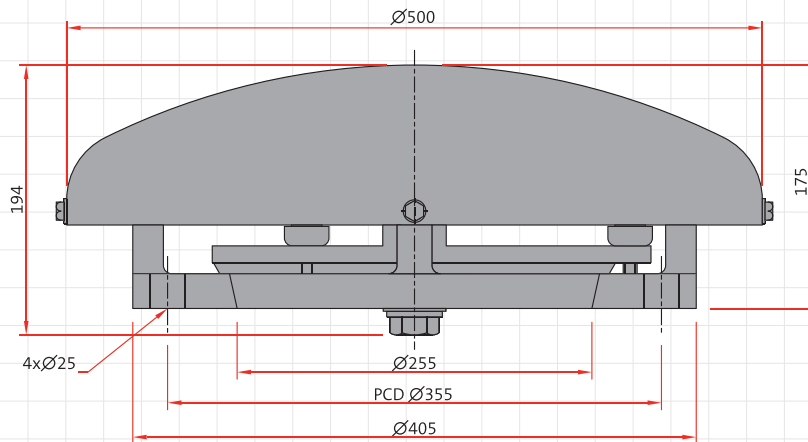
Product information

Constructed for outdoor conditions, the PRV consists of a cast aluminium body containing a cast aluminium overpressure and underpressure disc. The calibrated stainless steel springs ensure that under normal conditions the gaskets are sufficiently compressed for effective sealing. The whole unit is protected by a stainless steel cover.

The standard execution is suitable for 39,6 millibar overpressure and 19,8 millibar underpressure. Other specifications are available on request.

PRV

Dimensions PRV



Flow rate characteristics

Approximate value (air $\gamma = 1,22$)

